

PRODUCT	TYPE
Spa Table	MO1 Evo

**Description:**

extremely low access of 50 cm // up to six motors to set the height, back, leg and foot section, also optionally available for armrests // swivelling (mechanical) armrests // eight treatment positions savable // lock function // especially hard wearing // stitched PU soft upholstery // flexible storage space in the base section, open or closed // mechanically (optionally electrically) extendable castors // suitable for people with physical disabilities // available in a range of designs

height of bed surface: approx. 50-82 cm // length: 205 cm // S 76 cm / M 85 cm / L 92 cm  
 elevating force: 250 kg // load capacity of the bed surface: 300 kg



**Optional extras (prices on request)**

- Medium size (85 cm)
- Large size (92 cm)
- Extra soft upholstery
- Electrically lowerable armrests
- Electrically Triple-Airback
- Smart-Thermo heating
- Vibro-Wellness
- Breast contouring
- Multimedia soundsystem
- Scent diffuser
- PU upholstery - special color
- Metal components - special color
- Wood décor - special color
- Electrically retractable castors
- Foot switch
- Infrared hand remote control
- Integrated storage space
- Lamp mounting incl. mag lamp 'Circle'
- Lamp mounting incl. mag lamp 'Flex'
- Spa Ambience light

\*Illustration pictures - offered options and colors might differ



**Extra Soft Upholstery**



**Standard Upholstery**

**Standard colors included into the list price:**

Upholstery PU: white, choco  
 Metal Components: white RAL 9016, titanium RAL 9007 or black-brown RAL 8022  
 Wooden Décor: white, wenge, Gris Céramique, Erable Gris C or Beton



**Gharieni Group certifications according to ISO13485:**

CE marked  
 Made in Germany  
 TÜV certification



**3 years full warranty (on all components), 5 years on actuators, 10 years on metal frames**

**PRODUCT**  
Spa Table

**TYPE**  
MO1 Evo

**Description:**

**Gharieni MO1 Evo: One of the world's most sophisticated beds**

The Gharieni spa table MO1 Evo is a creation, developed in a strong cooperation and exchange with therapists, operators and designers. By filtering and combining different perspectives, needs and ideas, the Gharieni Group was able to develop a unique and exceptional spa table, both in design and functionality. The standard model of 4 motors can be upgraded to 7, making it a flagship to set new heights in spa table technology all around the world.

**SPECIFICATIONS:**

**Dimensions:** Width: 85 cm length: 205 cm height range: 50-82 cm

**Electricity Supply:** International voltages and plug types

**Input Frequency:** 50 - 60 Hz

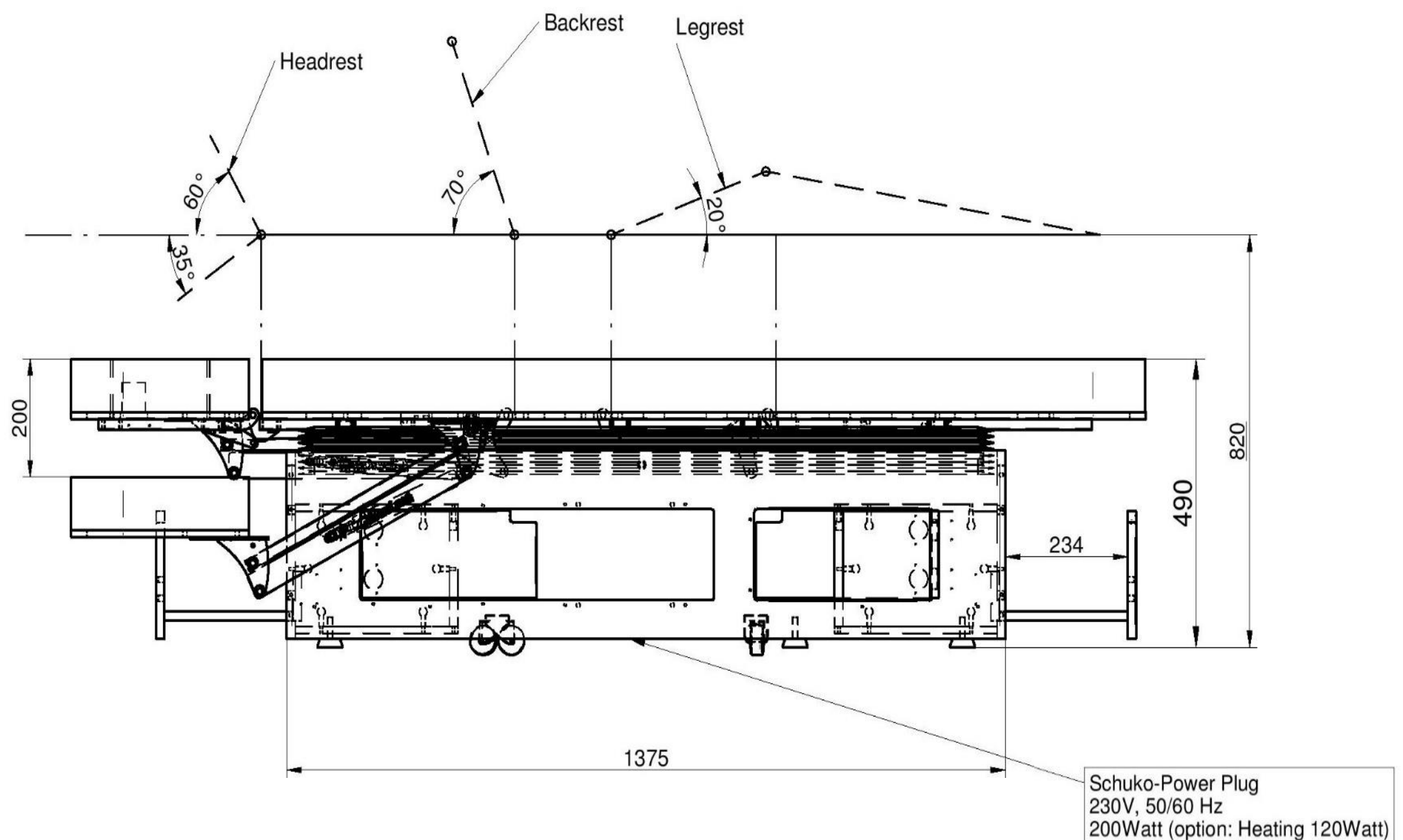
**Plumbing:** N/A

**Notes:** N/A

**Certifications:** The MO1 is CE marked  
German production according to ISO13485

**Country of Origin:** Germany

**Installed By:** N/A



**Gharieni Group certifications according to ISO13485:**

CE marked  
Made in Germany  
TÜV certification



**3 years full warranty (on all components), 5 years on actuators, 10 years on metal frames**