



Instruction Manual

Treatment Table SLR Special



Fig. similar: colour, design and equipment may vary depending on model.

Gharieni Group GmbH
Am Schürmannshütt 24
D - 47441 Moers

➤ Phone:	+49 (0)2841/88300-0
➤ Fax:	+49 (0)2841/88300-999
➤ Customer service hotline:	+49 (0)2841/88300-40
➤ E-mail:	service@gharieni.de
➤ Web:	www.gharieni.de

Empty field for entering the **SERIAL NUMBER**.
The serial number of the SLR Special is on the
rating plate (s. chapter 7. RATING PLATE).

PREFACE

Dear Customer,

we would like to thank you for purchasing this quality-product as well as for your confidence. **Read the complete IM before you use the SLR Special for the first time.** Reading the complete IM is essential for its proper and confident use and will help you to operate the SLR Special to your entire satisfaction. Our SLR Special is very robust and has a long operating life if it is operated properly.

Read the instructions very carefully and operate the SLR Special in its intended use as described only to protect you and your customers from danger. Keep the IM handy and near of the SLR Special.

MAKE SURE THAT THIS MANUAL IS AVAILABLE TO ANYONE USING THE SLR SPECIAL AND MAKE SURE THAT IT HAS BEEN READ AND UNDERSTOOD PRIOR TO USING THE TREATMENT TABLE.

⚠ WARNING! Failure to follow these instructions endangers the operator`s health and life and / or can damage the SLR Special.

Index

1. Safety information	5
1.1 Abbreviations	5
1.2 Signal words.....	6
1.3 Safety instructions	6
2. Intended use	10
3. Scope of delivery	10
4. Preliminary remarks	11
5. Delivery and unpacking of the SLR Special	11
5.1 Unpacking.....	11
6. Assembly and transport of the SLR Special.....	12
6.1 Assembly	12
6.2 Transport.....	12
6.2.1 Extendable / retractable castors	13
7. Rating plate	14

8. Upholstery of the SLR Special.....	15
9. Operation of the SLR Special	16
9.1 Characteristics	16
9.2 Numbers of actuators	17
9.3 Before initial use	17
9.4 View	18
9.5 Headrest	19
9.6 Armrests (optional accessories)	20
9.7 Leg section.....	22
9.8 Backrest.....	22
9.8.1 Mechanical Airback.....	23
10. Adjustment of the SLR Special.....	23
10.1 Manual control panel (MCP).....	24
10.1.1 Locking function / Key lock button of the manual control panel	26
10.1.2 Memory functions of the MCP.....	27
10.2 Adjustment of the work height.....	28
10.3 Adjustment of the backrest	28
10.4 Adjustment of the seat inclination	29
10.5 Adjustment of the leg section	29
10.5.1 Footrest	29
11. Initializing of the software of the SLR Special	30
12. Cleaning and maintenance of the SLR Special	32
12.1 Cleaning and care of the artificial leather.....	33
12.2 Cleaning of the housing and of the fittings	33
13. Malfunctions (possible causes and troubleshooting).....	33
13.1 Repair of the SLR Special	34
14. Optionally available accessories.....	35
14.1 Armrests, wide	35
14.2 Oro® Synthetic Leather Cleaner.....	36
14.3 Neck rest "Dentalax"	36
14.4 Multifunctional mounting for removable headrests	37

14.4.1 Crescent headrest.....	37
14.4.2 U - shaped headrest.....	38
14.5 Protective covers	38
14.5.1 Protective covers made of terry.....	38
15. Conditions of transport, storage and operation	39
15.1 Transport	39
15.2 Ambient conditions for storing and transportation.....	39
15.3 Ambient conditions for operation	39
16. Technical data	40
17. Waste management	41
18. Guarantee provisions.....	42
18.1 Guarantee exclusion.....	42
19. EC-Declaration Of Conformity	43
20. Status of edition.....	44



Do not dispose of the SLR Special together with your domestic waste. The treatment table must be disposed of at a collecting centre for recyclable electric and electronic appliances. Do not remove the symbol from the SLR Special.

1. Safety information


When using electrical products / appliances, especially when children are present, basic safety precautions should always be followed, including the following:

READ THE COMPLETE SAFETY INFORMATION AND SAFETY INSTRUCTIONS CAREFULLY BEFORE YOU OPERATE THE SLR THE FIRST TIME.

- **All information included in those pages serve for the protection of the operator. If you ignore the safety information and safety instructions, you will endanger your health and life and as the health and life of your clients.**
- **MAKE SURE THAT THIS MANUAL IS AVAILABLE TO ANYONE USING THE GHARIENI TREATMENT TABLE SLR SPECIAL AND MAKE SURE THAT IT HAS BEEN READ AND UNDERSTOOD PRIOR TO USING THE TREATMENT TABLE.**
- This instruction manual is an integral part of the product and must be carefully kept in a safe place in order to consult it throughout the equipment service life. Copies of this instruction manual are available upon request.
- The Gharieni Group GmbH shall not be held responsible for any damages, direct or indirect, caused to people, animals or objects resulting from negligence or non-compliance with the instructions contained herein.
- Before you dispose of a treatment table or any old appliance, **render it inoperative**. Unplug the treatment table / appliance and cut off the entire power cord. Dispose of the power cord and the plug immediately.

★ **Store this manual in a safe place so you can use it whenever it is needed. Strictly observe the instructions to avoid damage to persons and property.**

1.1 Abbreviations

SLR	➤ GHARIENI TREATMENT TABLE SLR SPECIAL
MCP	➤ MANUAL CONTROL PANEL
	➤ Operating advice

1.2 Signal words

⚠ DANGER! indicates a hazardous situation which, if ignored, will result in death or serious injury.

⚠ WARNING! indicates a hazardous situation which, if ignored, could result in death or serious injury.

⚠ CAUTION! indicates a hazardous situation which, if not avoided, may result in minor or moderate injury.

NOTICE! indicates possible damage to the treatment table / appliance.

1.3 Safety instructions

⚠ DANGER

To reduce the risk of electrocution:

1. Non-compliance of the orders of this instruction manual will endanger the life and health of the operator and / or can result in damages to the SLR.
2. All electrical work to connect the SLR to the mains must be carried out by a qualified professional. Do not modify the energy supply. The connection must be carried out in accordance with the current local and legal regulations. **RISK OF ELECTRIC SHOCK!**
3. The technical data of your energy supplier **must** meet the data on the model plate of the SLR.
4. Do not modify the plug provided with the SLR, if it will not fit the outlet, have a proper outlet installed by a qualified electrician (**not covered by the guarantee**).
5. **Do not connect** the SLR to the mains if the treatment table itself or the power cable or the plug are visibly damaged. **RISK OF ELECTRIC SHOCK!**
6. The power supply cable shall not be placed below the SLR, except it is expressly permitted by the manufacturer. **RISK OF ELECTRIC SHOCK!**
7. The power cord must not be placed near the movable parts of the SLR during connection or repositioning as it can be damaged while operating the actuators. **RISK OF ELECTRIC SHOCK!**
8. Never roll the SLR over the power cord; otherwise you can damage the power cord permanently.
9. When retracting the castors, the power cord must not be under the adjustable feet; otherwise, the adjustable feet may squeeze the power cord and cause permanent damage. **RISK OF ELECTRIC SHOCK!**

10. Never try to repair the SLR yourself. If the SLR does not operate properly, please contact the manufacturer or the shop you purchased the treatment table at. Original spare parts should be used only.
11. When the power cable and / or the plug are damaged, it must be replaced by the manufacturer or an authorized aftersales service or a qualified professional only. Never try to repair or replace the power cable and / or the plug yourself. RISK OF ELECTRIC SHOCK!
12. **Always** unplug the SLR if it is not used for a longer period of time.
13. Always disconnect the SLR from the mains before cleaning and / or maintenance. RIKS OF ELECTRIC SHOCK!
14. **Never** pull the power supply cable to unplug the SLR. Always use the power plug itself to unplug the treatment table. RISK OF ELECTRIC SHOCK!
15. **Never** touch power plugs, power switches or other electrical components with wet or damp hands. RISK OF ELECTRIC SHOCK!
16. Do not place or store the SLR close to a bath, a shower or a washbasin. There is danger that the SLR may come into contact with splashed water. RISK OF ELECTRIC SHOCK!

 **WARNING!**

To reduce the risk of burns, electrocution, fire or injury to persons:

1. Use a properly-grounded socket with proper voltage (230 V AC) only.
2. **The electric components must not come in contact with water.** RISK OF ELECTRIC SHOCK!
3. Check all cables regularly and contact our Customer Service Department when any cable is in improper condition. RISK OF ELECTRIC SHOCK!
4. The SLR must not stand on the power cord. Ensure that the cord is not damaged when moving the treatment table. Do not step on the cord. Do not stretch the cord.
5. Always ensure that the power cord is not bent or squeezed during installation.
6. **Do not** use any extension cords, multiple sockets or adapters. RISK OF FIRE!
7. **Do not** open the housings of the electric control panels! RISK OF ELECTRIC SHOCK!
8. Liquids **must not** get into the electric control panels! RISK OF ELECTRIC SHOCK!
9. Do not use water or any other liquids while carrying out any application. Do not spill water or any other liquids over, on or into the SLR. Should you spill any water, **immediately** pull the mains plug and dry the SLR thoroughly. RISK OF ELECTRIC SHOCK!

10. **Never** immerse any parts of the SLR in water. When cleaning the SLR, make sure that no water penetrates the SLR or its housing. **RISK OF ELECTRIC SHOCK!**
11. Persons suffering from acute pain, venous disorders, low blood pressure, inflammatory processes and other pathologies which make the positioning of the patient inappropriate must consult a qualified doctor before treatment.
12. **Persons who are treated on the SLR must not be under the influence of intoxicating substances (e.g. alcohol, drugs or medicine).**
13. Operate or store the SLR in a dry environment **only**.
14. Close supervision is necessary when the SLR is used by, on, or near children or invalids.
15. Use the SLR only for its intended use as described in this manual. Do not use attachments / accessories not recommended by the manufacturer.
16. Never operate the SLR if it has a damaged cord or plug, if it is not working properly, if it has been damaged or if it has become wet. Return the SLR to an authorized aftersales service for examination and repair.
17. Remove possible dust accumulation at the power plug, at the safety power socket and at all plug connectors **regularly**. **RISK OF FIRE!**
18. Keep the cord away from heated surfaces.
19. Never drop or insert any object into any opening.
20. Do not use the SLR outdoors.
21. Do not allow any unauthorized person to operate the SLR!
22. Use the SLR only on a level surface.
23. **Do not place** any objects or liquids on the SLR. The treatment table as well as the material can be damaged thereby. **RISK OF ELECTRIC SHOCK! RISK OF DAMAGE!**
24. Any repairs and maintenance work must be carried out by qualified professionals authorized by the Gharieni Group GmbH only! **RISK OF ELECTRIC SHOCK! RISK OF FIRE!**
25. **Do not use** a steam cleaner for cleaning. **RISK OF ELECTRIC SHOCK!**
26. **Never** rest or stand on any part of the lying surface or of the supporting structure of the SLR. Do not exert strong physical forces on these components; otherwise you can damage the supporting structure permanently. **RISK OF TIPPING! RISK OF BREAKAGE! RISK OF INJURY!**
27. The SPLINE - FUNCTION does not protect from injuries. It is essential that no parts of the body or items are between the parts of the SLR while adjusting the lying position. **RISK OF CRUSHING! RISK OF INJURY!**

28. Persons, animals or body parts of persons and animals **must not** be positioned between the base and the upper structure. RISK OF CRUSHING!
29. Always ensure that no parts of the body or items are between the parts of the SLR while adjusting the lying position. RISK OF CRUSHING!
30. **Do not** use the supporting structure as a foot rest. RISK OF CRUSHING!
31. Always ensure that the SLR stands on its solid adjustable feet. If the SLR stands on its mobile castors only, there is a RISK OF ROLLING AWAY!
32. **Never** extend the castors while any person is on the SLR. RISK OF INJURY! RISK OF DAMAGE!
33. Do not move the SLR on its castors if any person or load is on the SLR; otherwise you damage the construction / substructure or the castors of the SLR. RISK OF INJURY! RISK OF DAMAGE!
34. The SLR must **never** be used (neither with nor without castors) for the carrying or transporting of persons or heavy loads. RISK OF INJURY! RISK OF DAMAGE!
35. While unpacking, the packaging materials (polythene bags, polystyrene pieces, etc.) should be kept away from children and pets. RISK OF INJURY! CHOKING HAZARD!
36. Always keep children and pets away from the SLR.
37. Children must not play with the SLR or its single components.
38. The SLR is not intended to be operated by persons with reduced physical, sensory and mental capabilities or lack of experience or knowledge, unless they are supervised or instructed concerning the use of the treatment table and do understand the danger resulting thereof.

NOTICE!

1. For safety reasons, the SLR moves only while pressing a key of the manual control panel. When you stop pressing, all moving-operation will stop immediately.
2. **Never** rest, stand or kneel on any part of the lying surface of the SLR. Do not exert strong physical forces on the lying surface; otherwise you can damage the upholstery permanently. RISK OF DAMAGE!
3. To prevent unauthorized use of the SLR Special, **always** activate the locking function of the manual control panel (MCP) when leaving the treatment room.

4. The maximum loading capacity of the armrests (optional accessories) is 25 kg.
5. The rating plate must not be removed or made illegible.
Noncompliance will expire the guarantee!

SAVE THESE INSTRUCTIONS.

2. Intended use

- i** Read the instructions very carefully and **only** operate the treatment table in its intended use as described to protect you and your customers from danger:
 - ❖ The Gharieni treatment table SLR Special is **not** a medical device relevant to the medical products law (German: MPG).
 - ❖ The SLR Special is a treatment table. It is suitable for facial treatments, hair removal, pedicure, manicure, body treatments, etc. **No other use is permitted: it will affect your guarantee rights.**
 - ❖ The SLR Special is intended for indoor use **only**.

★ The manufacturer and distributor are not responsible for any damage or injury in the event of failure to comply with these instructions.

3. Scope of delivery

- 1 TREATMENT TABLE SLR Special in desired design and equipment incl. rating plate.
- 1 MANUAL CONTROL PANEL (MCP)
- 1 INSTRUCTION MANUAL
- i** If you have purchased optional accessories for your treatment table, these are also included in the scope of delivery.
- i** **Armrest for the SLR are not included in the scope of delivery by default, but optionally available at Gharieni;** see also chapter 9.6 ARMRESTS (OPTIONAL ACCESSORIES) and chapter 14. OPTIONALLY AVAILABLE ACCESSORIES.

4. Preliminary remarks

- ❖ The Gharieni treatment table SLR Special is subject to the highest safety and quality standards.
- ❖ Before initial operation, please check that all components are present and that they are not visible damaged.
- ❖ The dedicated safety socket must be grounded properly and must meet the proper voltage.



Ensure that there is sufficient free space for the SLR relevant to its total length.

5. Delivery and unpacking of the SLR Special

- ❖ Before installation, ensure that there is sufficient free space for the SLR relevant to its total length.
- ❖ In some countries, the SLR is delivered in a cardboard (depending on delivery).

5.1 Unpacking

⚠ WARNING! While unpacking, the packaging materials (polythene bags, polystyrene pieces, etc.) should be kept away from children and pets. **CHOKING HAZARD! RISK OF INJURY!**

PLEASE OBSERVE THE FOLLOWING WHEN THE SLR SPECIAL IS DELIVERED IN A CARDBOARD:

- Open the top of the packaging carefully. Do not use any sharp-edged items which can damage the upholstery.
- **Do not** lift the SLR **but** remove the top packaging first. Then you can lift and remove the outer packaging.
- The headrest is in the same cardboard. The headrest has to be installed¹ (see chapter 9.5 HEADREST).
- Carry the SLR using its base / supporting structure **only**. Remove the transport protection (if equipped) before initial operation.

¹ Depending on delivery

6. Assembly and transport of the SLR Special

6.1 Assembly

The SLR is easy to install and can be adapted to all human body measurements. You can adjust the desired positions electrically in a very short period of time and then focus entirely on your customer.

- Before installation, ensure sufficient free space.

NOTICE! When you have placed the SLR in a suitable position providing sufficient free space, remove the carrying supports² if necessary and store them at a safe place for future use.

ADJUSTABLE FEET INCL. ADJUSTING SCREWS

- ❖ Use the adjustable feet for proper levelling of the SLR. The appliance **must** stand in a **stable and level position** to ensure proper operation. The 4 adjustable feet must stand firmly on the ground so that the SLR does not wobble. Adjust the adjustable feet accordingly using the adjusting screws.
- i** **Always** ensure that the castors of the SLR carry **no** load when you adjust the adjustable feet using the adjusting screws.

NOTICE! If the floor is not level, you **must** ensure proper stability using the adjusting screw³.

6.2 Transport

- i** A transport of the SLR can be severely affected to some extent due to unfavourable environment conditions. Such unfavourable environmental conditions are e.g. narrow doors, narrow corners behind doors, narrow corridors, narrow staircases, spiral staircases etc. The weight of the SLR is at least 84 kg (without options). Please note that the manoeuvrability of the SLR is thus limited.
- i** The SLR is equipped with extendable / retractable castors. The castors can be extended to change the site of the SLR (s. chapter 6.2.1 EXTENDABLE / RETRACTABLE CASTORS).

² Depending on model

³ Depending on model

6.2.1 Extendable / retractable castors

⚠ DANGER! When retracting the castors, the power cord must not be under the SLR; otherwise, the adjustable feet may squeeze the power cord and cause permanent damage. RISK OF ELECTRIC SHOCK!

⚠ DANGER! Never roll the SLR over the power cord; otherwise you can damage the power cord permanently.

⚠ WARNING! Always ensure that the SLR stands on its solid adjustable feet. If the SLR stands on its mobile castors only, there is a RISK OF ROLLING AWAY!

⚠ WARNING! RISK OF CRUSHING your toes / feet while lowering or moving the SLR.

⚠ WARNING! **Never** extend the castors while any person is on the SLR.

⚠ WARNING! The SLR **must never** be used (neither with nor without castors) for carrying or transporting persons or heavy loads. RISK OF INJURY! RISK OF DAMAGE!

USE OF THE MECHANICALLY EXTENDABLE CASTORS:

1. Disconnect the SLR from the mains (unplug).
2. The lever (**A**) to extend the castors mechanically is on the left side of the base / supporting structure (**B** / s. fig. below).
3. To extend the castors, pull the lever (**A**) upwards (s. fig below).



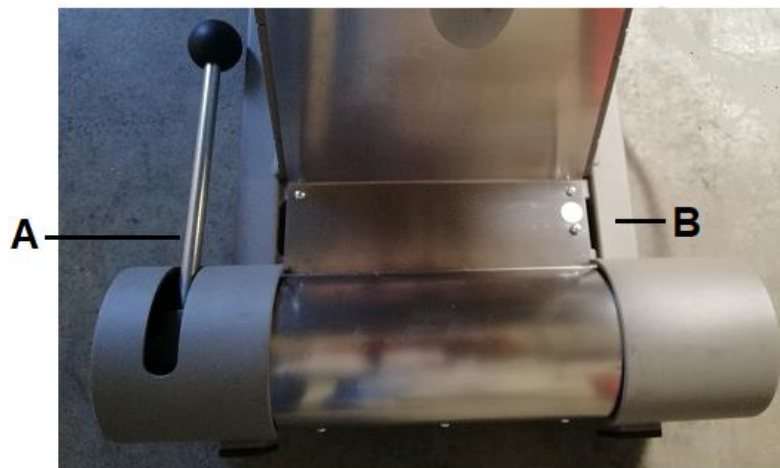
A	LEVER (up = castors are extended)
B	BASE / SUPPORTING STRUCTURE

4. The castors are now extended.

i **Before moving the SLR Special**, roll up the power cord properly and store the power cord in such a way, that you cannot roll over it when moving the SLR. Do not retract the castors unless the SLR stands at its desired site and you have checked that the power cord is not located under the SLR or its adjusting feet.

5. Now you can roll the SLR to another position. Be careful not to damage the power cord.

6. To retract the castors, push the lever (A) down (s. fig below).



A	LEVER (down = castors are retracted)
B	BASE / SUPPORTING STRUCTURE

7. Rating plate

❖ The rating plate is usually on the casing of the parallelogram⁴ (mechanism for the height adjustment) of the SLR (s. fig. below / see also fig. in chapter 9.4 VIEW).


i **Do not make the rating plate illegible! Do not remove the rating plate! Noncompliance will expire the guarantee!**

⁴ Depending on model



Fig. similar: fig. serves as an example only.

A	RATING PLATE
B	CASING OF THE PARALLELOGRAM (mechanism for the height adjustment)


 If you wish to contact the Gharieni customer service regarding your treatment table, we recommend taking a photo of the rating plate previously (e.g. using a mobile phone or a digital camera). This makes it easier for you to identify the information of the rating plate (e.g. the serial number of the treatment table) in order to provide the required information to the customer service. On the cover page of this instruction manual is an empty field in which you can enter the serial number of your treatment table. So you have the serial number always at hand.

8. Upholstery of the SLR Special

- ❖ The SLR is equipped with a comfortable upholstery.
- ❖ The upholstery is equipped with an **AIRBACK©** for lumbar support.
- ❖ The SLR Special is equipped with a seamless lying surface.
- ❖ The inner material of the upholstery is made of high-quality foam material.
- ❖ The surface is made of ARTIFICIAL LEATHER and available in many colours of our two-colour collections.

9. Operation of the SLR Special

⚠ WARNING! Do not sit on the headrest and armrests⁵.

⚠ WARNING! Do not carry out any physical force to the components named before (instructions are not depending on the adjustment of the lying surface). Failure to do so can cause permanent damage to the construction of the SLR. RISK OF TIPPING! RISK OF DISINTEGRATION! RISK OF INJURY!

9.1 Characteristics

- ❖ The SLR Special is a versatile treatment table. You can use it for e.g. cosmetic applications, etc in dry rooms.
- ❖ The SLR is equipped with a high-quality comfort padding made of artificial leather. The SLR Special is also equipped with a seamless lying surface.
- ❖ The Gharieni SLR is a treatment table which is equipped with four actuators (see also chapter 9.2 NUMBERS OF ACTUATORS). When operating these actuators, you can easily adjust the desired positions electrically using the manual control panel.
- ❖ Frequently used treatment positions can be saved by four freely selectable memory positions on the manual control panel (s. chapter 10.1.2 MEMORY FUNCTIONS OF THE MANUAL CONTROL PANEL).
- ❖ Work height, seat inclination, backrest and leg section can be adjusted electrically (s. chapter 10. ADJUSTMENT OF THE SLR SPECIAL).
- ❖ The headrest is extendable manually.
- ❖ The footrest is extendable manually.
- ❖ For lumbar support, the SLR is equipped with a mechanical Airback by default which is located in the backrest (s. chapter 9.8.1 MECHANICAL AIRBACK).
- ❖ The upper backrest of the SLR has a smaller width and thus enables flexible working.
- ❖ The SLR has a low entry height (approx. 47.00 cm / seat in inclined position)
- ❖ Armrest for the SLR are not included in the scope of delivery by default, but optionally available at Gharieni (see also chapter 9.6 ARMRESTS and chapter 14. OPTIONALLY AVAILABLE ACCESSORIES).
- ❖ All available armrests for the SLR are removable.
- ❖ The maximum lifting capacity of the SLR is 200.00 kg.
- ❖ The maximum loading capacity of the sitting surface of the SLR is approx. 250.00 kg.
- ❖ The maximum loading capacity of the armrests (optional accessories) is 25 kg.

⁵ Optional accessories

9.2 Numbers of actuators

- ❖ The treatment tables of the Gharieni SLR Special series are equipped with four actuators. When operating these actuators, you can easily adjust the desired positions electrically using the manual control panel.
 - ❖ Work height, seat inclination, backrest and leg section can be adjusted electrically.
- See also chapter 10. ADJUSTMENT OF THE SLR SPECIAL

THE SLR SPECIAL IS EQUIPPED WITH <u>FOUR</u> ACTUATORS:	
Actuator 1	Electrical adjustment of the WORK HEIGHT.
Actuator 2	Electrical adjustment of the BACKREST.
Actuator 3	Electrical adjustment of the SEAT INCLINATION.
Actuator 4	Electrical adjustment of the LEG SECTION.

9.3 Before initial use

- Before initial operation, please check that all components are present and that they are not visibly damaged.
- The dedicated safety socket must be grounded properly and must meet the proper voltage (230 V AC).

9.4 View



Fig. similar: colour, design and equipment may vary depending on model.

1	BASE (supporting structure)
2	Mechanism for the electrical HEIGHT ADJUSTMENT: ➤ s. chapter 10.2 ADJUSTMENT OF THE WORK HEIGHT
3	Mechanism for the electrical adjustment of the SEAT INCLINATION: ➤ s. chapter 10.4 ADJUSTMENT OF THE SEAT INCLINATION
4	ADJUSTABLE FEET INCL. ADJUSTING SCREWS (4 in total): ➤ see also chapter 6.1 ASSEMBLY
5	Manually extendable HEADREST: ➤ s. chapter 9.5 HEADREST

5a	<p>Neck rest "DENTALAX":</p> <ul style="list-style-type: none"> ➤ this neck rest supports the cervical spine effectively and will increase the comfort of lying significantly. ➤ optional accessory. ➤ see also chapter 14. OPTIONALLY AVAILABLE ACCESSORIES
6	<p>Electrically adjustable BACKREST:</p> <ul style="list-style-type: none"> ➤ s. chapter 9.8 BACKREST and chapter 10.3 ADJUSTMENT OF THE BACKREST
7	<p>Foldable and removable ARMRESTS:</p> <ul style="list-style-type: none"> ➤ optional accessories / fig. shows wide armrests made of PU (polyurethane) ➤ s. chapter 9.6 ARMRESTS (OPTIONAL ACCESSORIES) ➤ see also chapter 14. OPTIONALLY AVAILABLE ACCESSORIES
8	<p>SEAT:</p> <ul style="list-style-type: none"> ➤ the seat inclination is adjustable electrically. ➤ s. chapter 10.4 ADJUSTMENT OF THE SEAT INCLINATION
9	<p>Electrically adjustable LEG SECTION:</p> <ul style="list-style-type: none"> ➤ s. chapter 9.7 LEG SECTION and chapter 10.5 ADJUSTMENT OF THE LEG SECTION
10	<p>Manually extendable FOOTREST:</p> <ul style="list-style-type: none"> ➤ s. chapter 9.7 LEG SECTION and chapter 10.5.1 FOOTREST

9.5 Headrest

- ❖ You find the headrest in the packaging of the SLR⁶.
- ❖ Push the stainless-steel bar of the headrest (**B** / also called “sword”) into the guide rail (**C**) at the top of the backrest (s. fig. below). The headrest can be locked in different heights relevant to the height of the customer using the associated handwheel (without illustration).
- ❖ The headrest can be removed completely by pulling it out of the guide rail upwards (**after** you have disengaged the lock of the headrest using the handwheel).

⁶ Depending on delivery

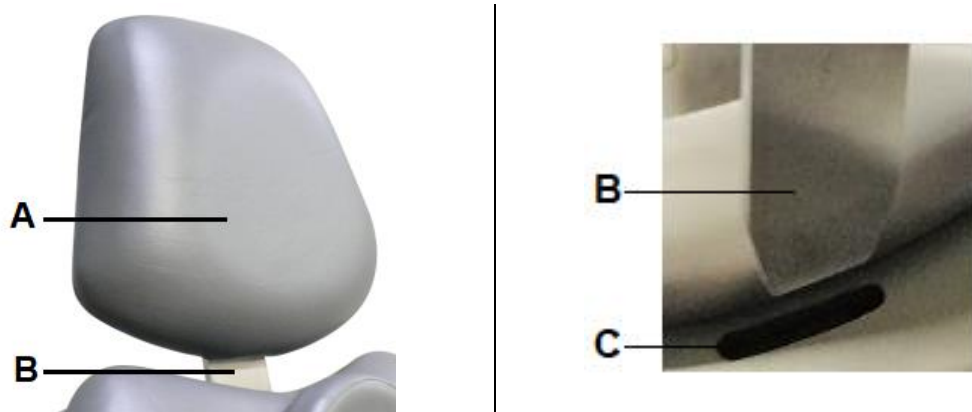


Fig. similar: colour may vary depending on model.

A	HEADREST
B	STAINLESS STEEL BAR of the headrest (also called “sword”)
C	GUIDE RAIL in the backrest

i The NECK REST "DENTALAX" is optional available for the SLR. The NECK REST "DENTALAX" supports the cervical spine effectively and will increase the comfort of lying significantly (see also chapter 14. OPTIONALLY AVAILABLE ACCESSORIES).

NOTICE! Do not lean, stand or sit on the headrest; otherwise you can damage the headrest permanently! RISK OF DAMAGE!

9.6 Armrests (optional accessories)

- ❖ Armrest for the SLR Special are **not** included in the scope of delivery by default, but **optionally** available at Gharieni (see also chapter 14. OPTIONALLY AVAILABLE ACCESSORIES).
- ❖ All available armrests for the SLR are removable.
- ❖ The maximum loading capacity of the armrests is 25 kg.
- ❖ The armrests can be folded back for easy lateral access to the seat.

NOTICE! Do not lean, stand, kneel or sit on the armrests; otherwise you can damage the armrests permanently! RISK OF DAMAGE!

INSTALLATION OF THE ARMRESTS:

The armrests can be installed via a plug-in mechanism easily. There is one special position **only** to plug-in the armrests (see below; fig. 1 and fig. 2); for this purpose, hold the armrests in an almost straight position [horizontal]). After you have inserted the armrests properly, you can turn them to the desired position.



FIG. 1



FIG. 2

REMOVABLE WIDE ARMRESTS MADE OF PU (POLYURETHANE):

- ❖ Removable wide armrests made of PU for the SLR are optional available for an additional charge (see also chapter 14. OPTIONALLY AVAILABLE ACCESSORIES).
- ❖ Dimensions of the armrests; length*width in cm: 54*12
- ❖ This material (PU) is highly durable. It has no seams, so it is very hygienic.
- ❖ The armrests made of PU can also be installed in reversed position to provide two different height positions for the arm of your customer.



LOWERED ARM POSITION



RAISED ARM POSITION

Fig. similar: fig. serves as an example only.

⚠ CAUTION! The upholstery of the armrests⁷ made of PU is not equipped with a continuous core. Do not rest on the front part of the armrests as the soft material of the upholstery cannot hold the weight. **RISK OF SLIPPING! RISK OF INJURY!**

⁷ Depending on model

9.7 Leg section

- ❖ The two-piece leg section of the SLR can be adjusted electrically (s. chapter 10.5 ADJUSTMENT OF THE LEG SECTION).
- ❖ Usually, the SLR is entered from the side. Fold back the armrests (optional accessories) for easy access.
- ❖ As the leg section can be adjusted vertically by approx. 86° (s. below; fig. 3), it is also possible to enter the SLR from the front. This mode is advantageous, when access from the side is not ensured.
- ❖ **Always** ensure that the footrest is inserted **completely** before you adjust the leg section vertically; otherwise the footrest may collide with the floor (s. below; fig. 4).
- ❖ You can extract the lower part of the leg section to increase its length (see also chapter 10.5.1 FOOTREST). Furthermore, you can remove the lower part, so you can work on the heel area (pedicure). This setting is also suitable when you want to carry out massages without using additional tools (lowered foot position).



FIG. 3

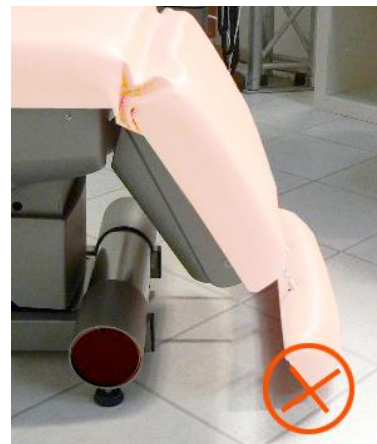


FIG. 4

Fig. similar: colour may vary depending on model.

9.8 Backrest

- ❖ The backrest of the SLR can be adjusted electrically (s. chapter 10.3 ADJUSTMENT OF THE BACKREST).
- ❖ For lumbar support, the SLR is equipped with a mechanical Airback which is located in the backrest.

9.8.1 Mechanical Airback

❖ This option is standard for the upholstery of the SLR Special.

The backrest (lumbar section) is equipped with an air cushion. You can inflate the air cushion using the grey hand pump. The Airback is useful when your customer is placed on the SLR in supine position. The Airback supports the human anatomy (S-shaped spine) and increases the lying comfort, especially when treating persons with a hollow back (in this case, please pump some more air into the Airback).

- When the customer is placed in prone position, **do not use** the Airback.
- You can deflate the Airback using the black button of the grey hand pump.

NOTICE! Do not pump the air cushions too much; otherwise the air cushions can be possible damaged due to the own weight of the customer.

10. Adjustment of the SLR Special

❖ The electrical adjustments of the SLR are carried out using the manual control panel (MCP).

i The actuators of the SLR (except the actuator of the seat inclination) are equipped with the SPLINE - FUNCTION. The SPLINE - FUNCTION causes the actuators to run the lifting movement only, the lowering movement is performed by dead weight.

⚠ WARNING! The SPLINE - FUNCTION does not protect from injuries. It is essential that no parts of the body or items are below or between the parts of the SLR while adjusting the lying position. **RISK OF CRUSHING!**



For safety reasons, the SLR moves only while pressing a button of the MCP. When you stop pressing, all moving-operation will stop immediately.

10.1 Manual control panel (MCP)

The manual control panel (MCP) is a wired control. The electrically controllable functions are controlled via the MCP. You can control each of the 4 actuators individually by simply pressing the relevant buttons (level 1, standard mode, black lettering). Furthermore, you can save and set max. 8 memory positions (level 2, shift mode, grey lettering). How to save specific lying positions is described in section **MEMORY FUNCTIONS OF THE MANUAL CONTROL PANEL** (s. chapter 10.1.2).

- i** There are 12 buttons on the manual control panel. The top eight ones are defined for level 1 **as well as** for level 2 functions.

LEVEL 1 / STANDARD MODE / BLACK LETTERING

- ACTUATOR CONTROL (work height / backrest / seat inclination / leg section)
- KEY LOCK BUTTON (locking and unlocking of the manual control panel)

LEVEL 2 / STANDARD MODE / GREY LETTERING

- Saving and setting of the MEMORY POSITIONS (M 1 - M 8)
- SHIFT BUTTON (changing between level 1 and level 2)
- START BUTTON (resets the SLR Special to the basic position / in level 2 **only**)
- SAVE BUTTON (you can set the hotkeys M 1 - M 8 to any desired position using the SAVE BUTTON)

- ★ In LEVEL 2 the LED above the SHIFT BUTTON is on, in LEVEL 1 the LED is off.

⚠ WARNING! Ensure that no parts of the body or items are between the parts of the SLR while adjusting the lying position. RISK OF CRUSHING!

NOTICE! For safety reasons, the SLR moves only while pressing a key of the MCP. When you stop pressing, all moving-operation will stop immediately.

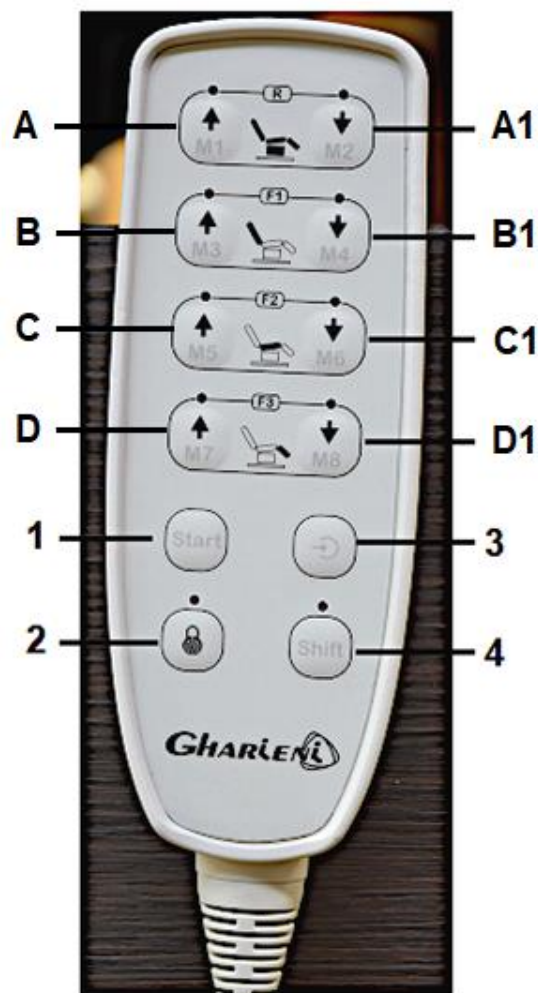



Fig. similar: modifications are possible.

<p>A / A1</p>	<ul style="list-style-type: none"> ➤ Push buttons for the adjustment of the WORK HEIGHT (black lettering / arrows). ➤ Push buttons for the saving and setting of the MEMORY POSITIONS M 1 and M 2 (grey lettering).
<p>B / B1</p>	<ul style="list-style-type: none"> ➤ Push buttons for the adjustment of the BACKREST (black lettering / arrows). ➤ Push buttons for the saving and setting of the MEMORY POSITIONS M 3 and M 4 (grey lettering).
<p>C / C1</p>	<ul style="list-style-type: none"> ➤ Push buttons for the adjustment of the SEAT INCLINATION (black lettering / arrows). ➤ Push buttons for the saving and setting of the MEMORY POSITIONS M 5 and M 6 (grey lettering).
<p>D / D1</p>	<ul style="list-style-type: none"> ➤ Push buttons for the adjustment of the LEG SECTION (black lettering / arrows). ➤ Push buttons for the saving and setting of the MEMORY POSITIONS M 7 and M 8 (grey lettering).

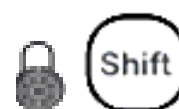
1	<p><u>START BUTTON (LEVEL 2 BUTTON / GREY LETTERING)</u></p> <ul style="list-style-type: none"> ➤ The START BUTTON resets the SLR Special to the basic position. ➤ The basic position is not changeable. ➤ Available in level 2 only.
2	<p><u>KEY LOCK BUTTON (LEVEL 1 BUTTON / BLACK LETTERING)</u></p> <ul style="list-style-type: none"> ➤ The KEY LOCK BUTTON locks / unlocks the entire manual control panel. ➤ Available in level 1 only.
3	<p><u>SAVE BUTTON (LEVEL 2 BUTTON / GREY LETTERING)</u></p> <ul style="list-style-type: none"> ➤ You can set the hotkeys M 1 - M 8 to any desired position using the SAVE BUTTON. ➤ Available in level 2 only.
4	<p><u>SHIFT BUTTON</u></p> <ul style="list-style-type: none"> ➤ You can change between level 1 and level 2 using the SHIFT BUTTON. ➤ In LEVEL 2 the LED above the SHIFT BUTTON is on, in LEVEL 1 the LED is off.
	<p>For safety reasons, the SLR moves only while pressing a button of the MCP. When you stop pressing, all moving-operation will stop immediately.</p>

10.1.1 Locking function / Key lock button of the manual control panel

- ❖ The SLR Special is equipped with a LOCKING FUNCTION of the manual control panel to protect the treatment table from unauthorized access.

HOW TO ACTIVATE THE LOCKING FUNCTION:

1. Press and hold the KEY LOCK BUTTON (2) and **immediately after** (within one second) press and hold the SHIFT BUTTON (4).
2. Keep on holding both buttons until you hear an acoustic signal.
3. The diode above the KEY-LOCK BUTTON goes **on**.
4. The operation of the SLR Special is locked.



HOW TO DEACTIVATE THE LOCKING FUNCTION:

1. Press and hold the KEY LOCK BUTTON (2) and **immediately after** (within one second) press and hold the SHIFT BUTTON (4).
2. Keep on holding both buttons for approx. 3 seconds until you hear an acoustic signal.
3. The diode above the KEY-LOCK BUTTON goes **off**.
4. The MCP is unlocked.



NOTICE! To prevent unauthorized use of the SLR Special, always activate the locking function of the manual control panel (MCP) when leaving the treatment room.

10.1.2 Memory functions of the MCP

- ❖ The manual control panel of the SLR Special is equipped with eight memory positions (memory functions on level 2: M 1 / M 2 / M 3 / M 4 / M 5 / M 6 / M 7 / M 8).
 - ❖ The memory function saves your desired treatment positions on the desired memory positions M 1 to M 8 (s fig. chapter 10.1 MANUAL CONTROL PANEL).
- i** In **LEVEL 2** the LED above the SHIFT BUTTON is on, in **LEVEL 1** the LED is off.

HOW TO SAVE A MEMORY POSITION:

1. Set the desired position as normal.
2. Press the SHIFT BUTTON (4). The diode goes **on** (**LEVEL 2**).
3. Press the SAVE BUTTON (3).
4. Press the desired MEMORY BUTTON (hotkey M 1 - M 8).
5. After successful saving you will hear an acoustic signal.



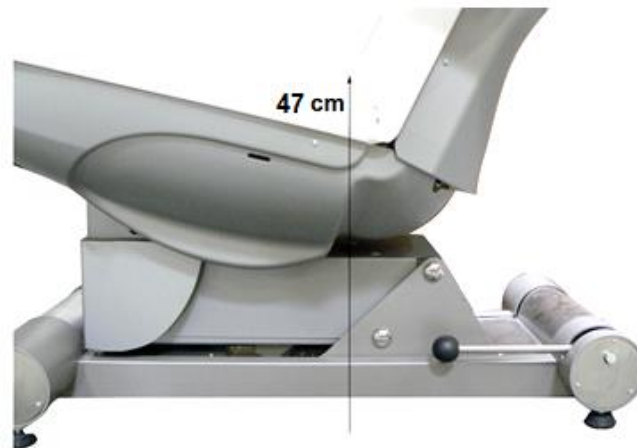
HOW TO SELECT A PREVIOUS SAVED MEMORY POSITION:

1. Press the SHIFT BUTTON (4). The diode goes **on** (**LEVEL 2**).
2. Press and **hold** the desired MEMORY BUTTON (hotkey M 1 - M 8) **until** the position has been reached.



10.2 Adjustment of the work height

- ❖ For the adjustment of the WORK HEIGHT press the corresponding pair of push buttons (**A / A1**); s. fig. in chapter 10.1 MANUAL CONTROL PANEL.
 - ❖ The direction of movement (up or down) is indicated by the arrow-symbols.
 - ❖ The horizontal WORK HEIGHT of the SLR is fully adjustable from approx. 54.00 cm up to approx. 83.00 cm.
 - ❖ Extracting of the adjustable feet (up to 3.00 cm)⁸ will increase the WORK HEIGHT a bit.
 - ❖ The SLR can be entered from the front but also from the side. Fold back the armrests for easy lateral access.
- i** The entry height is the lowest position of the seat;
- approx. 54.00 cm / seat in **horizontal** position
 - approx. 47.00 cm / seat in **inclined** position / s. fig. below



⚠ WARNING! The SPLINE - FUNCTION does not protect from injuries. It is essential that no parts of the body or items are below or between the parts of the SLR while adjusting the lying position. RISK OF CRUSHING!

10.3 Adjustment of the backrest

- ❖ The inclination of the BACKREST of the SLR can also be adjusted easily using the MCP.
- ❖ For the adjustment of the BACKREST press the corresponding pair of push buttons (**B / B1**); s. fig. in chapter 10.1 MANUAL CONTROL PANEL.
- ❖ The direction of movement (up or down) is indicated by the arrow-symbols.

⚠ WARNING! While adjusting, always check that fingers cannot be caught between the backrest and the seat. RISK OF CRUSHING!

⁸ Depending on model

⚠ WARNING! The SPLINE - FUNCTION does not protect from injuries. It is essential that no parts of the body or items are below or between the parts of the SLR while adjusting the lying position. RISK OF CRUSHING!

10.4 Adjustment of the seat inclination

- ❖ The inclination of the seat of the SLR can also be adjusted easily using the MCP.
- ❖ The inclination of the seat is fully adjustable (s. fig. below).
- ❖ For the adjustment of the SEAT INCLINATION press the corresponding pair of push buttons (**C / C1**); s. fig. in chapter 10.1 MANUAL CONTROL PANEL.
- ❖ The direction of movement (up or down) is indicated by the arrow-symbols.



*Fig. similar: fig. serves as an example for the adjustment of the SEAT INCLINATION **only**.*

10.5 Adjustment of the leg section

- ❖ The inclination of the LEG SECTION of the SLR can also be adjusted easily using the MCP.
- ❖ For the adjustment of the LEG SECTION press the corresponding pair of push buttons (**D / D1**); s. fig. in chapter 10.1 MANUAL CONTROL PANEL.
- ❖ The direction of movement (up or down) is indicated by the arrow-symbols.
- ❖ You have reached the highest position, when the LEG SECTION is level with the seat.

10.5.1 Footrest

- ❖ As well as the HEADREST you can extract the FOOTREST (**10**) of the LEG SECTION (**9**) to increase its length.
- ❖ Furthermore, you can remove the FOOTREST (**10**), so you can work on the heel area (pedicure). This setting is also suitable when you want to carry out massages without using additional tools (lowered foot position).

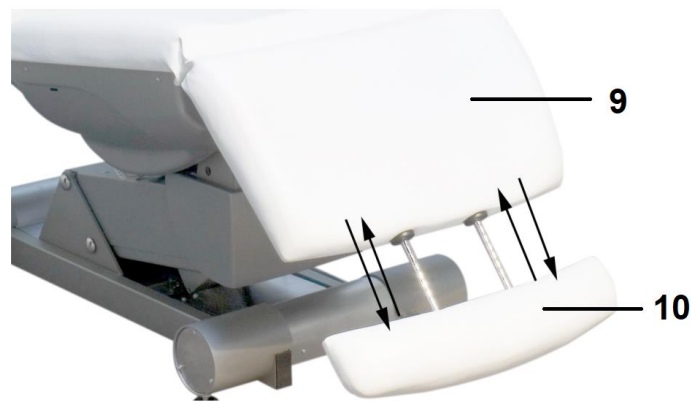


Fig. similar: colour may vary depending on model.

9	Electrically adjustable LEG SECTION
10	Manually extendable FOOTREST

NOTICE! Always ensure that the footrest is inserted **completely** before you adjust the leg section vertically; otherwise the footrest may collide with the floor (see also fig. 4 in chapter 9.7 LEG SECTION). **RISK OF DAMAGE!**

11. Initializing of the software of the SLR Special

If a previously-saved position is no longer properly set, you may have to initialize the software of the SLR. To correct the differences of position, you have to carry out the following steps:

INITIALIZING:

1. The **actuator of the backrest** must be set to **max.** position. The backrest must have an angle of approx. 75° to the seat! (**button B** of the manual control panel / s. below; fig. 5).
2. The **other actuators** must be set to **min.** position; that means:
 - a. the actuator of the work height must be set to its lowest setting! (**button A1** of the manual control panel / s. below; fig. 5).
 - b. the actuator of the seat inclination must be set to its lowest setting, i.e. the seat has to be adjusted horizontally.

Caution! Keep pressing the button C1 of the manual control panel (s. below; fig. 5) **until the actuator is switched off.**

- c. the actuator of the leg section has also to be set to min., i.e. **keep pressing the button D1** of the manual control panel (s. below; fig. 5) **until this actuator is also switched off**; it is clearly audible.
- ❖ The initializing is completed after having reached the last above described positions.

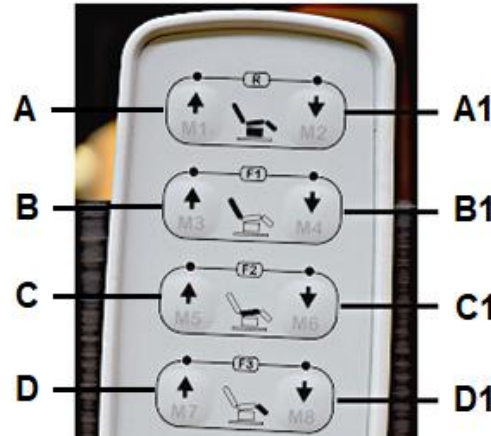


FIG. 5

- i The adjustment (initialisation) must be carried out manually, i.e. each actuator has to be run **individually**.



When the final positions are set, please keep pressing the push buttons for additional 2 to 3 seconds.

⚠ WARNING! The adjustment (initializing) **must be** carried out manually, i.e. each actuator **has to be run individually**. **Do not operate any hotkeys of the memory function when initializing the software!**

⚠ WARNING! Always ensure that the SLR stands on its solid adjustable feet. If the SLR stands on its mobile castors only, there is a **RISK OF ROLLING AWAY!**

12. Cleaning and maintenance of the SLR Special

⚠ WARNING Disconnect the SLR from the mains (unplug) before cleaning and maintenance. RISK OF ELECTRIC SHOCK! RISK OF FIRE!

⚠ WARNING! Remove possible dust accumulation at the power plug, at the safety power socket and at all plug connectors **regularly**. RISK OF FIRE!

⚠ WARNING! Ensure that water or other liquids cannot get into the housing and the fittings of the SLR or into the MCPs. RISK OF ELECTRIC SHOCK! RISK OF FIRE!

NOTICE! Damages of the treatment table, the upholstery and / or of the material of the base / supporting structure caused by the use of unsuitable cleaning agents **are not subject to the guarantee or the warranty!**

- ❖ **Do not wear** any arm and finger decoration such as rings or bracelets while carrying out any cleaning or maintenance operations. Otherwise, you can scratch and damage the upholstery and / or the material of the base of the SLR unintentionally.
- ❖ Use water or a mild cleaning agent which is suitable for the material **only**.
- ❖ **Do not use** extremely hot water for the cleaning of the SLR.
- ❖ **Do not use** any sponges, scouring pads or floor clothes.
- ❖ **Do not use** any aggressive cleaning agents such as scouring powders, floor cleaners, etc.
- ❖ **Do not use** any dishwashing detergents.
- ❖ **Do not use** any solvents or bleaching agents.
- ❖ **Do not use** any essential oils.

NOTICE! If you use a disinfection agent, it is **absolutely necessary** to contact the manufacturer of the disinfection agent before in order to clarify whether the product is suitable for disinfecting the respective material. Unsuitable disinfectant agents can damage the material of the upholstery and / or the upholstery itself as well as the material of the base / supporting structure.

NOTICE! Damages of the upholstery and / or of the material of the base / supporting structure caused by the use of unsuitable disinfection agents **are not subject to the guarantee or the warranty!**

12.1 Cleaning and care of the artificial leather

- ❖ The surface of the upholstery of the SLR is made of **artificial leather**.
- i** Clean and care the artificial leather using a special detergent for artificial leather **only** (optional available at Gharieni; s. chapter 14. OPTIONALLY AVAILABLE ACCESSORIES).

12.2 Cleaning of the housing and of the fittings

- i** Clean the housing and the fittings using a soft damp cloth and a small amount of soap.

⚠ WARNING! Ensure that water or other liquids cannot get into the housing and the fittings of the SLR or into the MCPs. RISK OF ELECTRIC SHOCK! RISK OF FIRE!

13. Malfunctions (possible causes and troubleshooting)

MALFUNCTION	
POSSIBLE CAUSE(S)	TROUBLESHOOTING
ALL ACTUATORS DO NOT WORK.	
<ol style="list-style-type: none"> 1. No connection to the mains. 2. The power supply cable is damaged. 3. MCP / actuator-plug are not plugged in properly. 4. MCP is defective. 5. Fuse in the transformer is defective. 6. Control-box total loss. 	<ol style="list-style-type: none"> 1. Check the connection status. 2. Power supply cable must be replaced (please contact the customer service). 3. Check proper connection of MCP / plug. 4. MCP must be replaced (please contact the customer service). 5. Fuse must be replaced (please contact the customer service). 6. Control-box must be replaced (please contact the customer service).

SINGLE ACTUATOR DOES NOT WORK.

<ol style="list-style-type: none"> 1. Motor-plug is not connected properly. 2. MCP is defective. 3. Control-box is defective. 4. Motor-cable or plug is defective. 5. Motor is defective. 	<ol style="list-style-type: none"> 1. Connect plug properly. 2. MCP must be replaced (please contact the customer service). 3. Control-box must be replaced (please contact the customer service). 4. Cord / plug must be replaced (please contact the customer service). 5. Motor must be replaced (please contact the customer service).
--	---

i If the treatment table shows a malfunction not noted on the schedule above or if you have checked all items on the above schedule but the problem still exists, please contact the aftersales service (s. chapter 13.1 REPAIR OF THE SLR).

13.1 Repair of the SLR Special

YOU CAN CONTACT THE GHARIENI CUSTOMER SERVICE USING THE FOLLOWING CONTACT INFORMATION:

CUSTOMER SERVICE HOTLINE:	+49 (0)2841/88300-40
E-MAIL:	service@gharieni.de

We are responsible for safety and reliability of the SLR Special under the following conditions only:

1. When contacting the customer service, the information about the **serial number** is absolutely necessary.
2. Repairs and modifications must be carried out by Gharieni Group GmbH or a person authorized by Gharieni Group GmbH.
3. The electrical installation of the room the SLR Special is installed in must meet the current legal regulations at the site where the SLR Special is operated.
4. The SLR Special is operated as described in the instruction manual.
5. Unauthorized modifications or manipulating the SLR Special will void the liability of the manufacturer.
6. All electric components are designed for continuous operation. Leave the SLR Special connected when it is used every day.
7. Check the power cord regularly for signs of damage.

8. When the power cable is damaged, it must be replaced by the manufacturer or an authorized aftersales service or a qualified professional only.



If you wish to contact the Gharieni customer service regarding your treatment table, we recommend taking a photo of the rating plate previously (e.g. using a mobile phone or a digital camera). This makes it easier for you to identify the information of the rating plate (e.g. the serial number of the treatment table) in order to provide the required information to the customer service. On the cover page of this instruction manual is an empty field in which you can enter the serial number of your treatment table. So you have the serial number always at hand.

14. Optionally available accessories

- ★ For detailed information regarding the optionally available accessories (s. below) please contact the Gharieni customer service. We will be glad to advise you!

14.1 Armrests, wide

- ❖ Removable wide armrests made of PU (s. fig. below) for the SLR are optional available for an additional charge.
- ❖ Dimensions of the armrests; length*width in cm: 54*12
- ❖ This material (PU) is highly durable. It has no seams, so it is very hygienic.



ARMRESTS, WIDE; PAIR

Article number: 44002

- ★ For detailed information regarding other available armrests for the SLR Special please contact the Gharieni customer service. We will be glad to advise you!

14.2 Oro® Synthetic Leather Cleaner

- ❖ The ORO® SYNTHETIC LEATHER CLEANER is optional available at Gharieni for an additional charge.
- ❖ This agent cleans and maintains all chair and treatment table covers and other surfaces made of **artificial leather**.
- ❖ Due to the simultaneous usage of the ORO® SYNTHETIC LEATHER CLEANER and synthetic leather care as well as the special sponge included in the set, dirt and stubborn stains can also be removed quickly and thoroughly.

ORO® SYNTHETIC LEATHER CLEANER

Article Number: 79444

NOTICE! Use the cleaner for artificial leather **only**.

14.3 Neck rest "Dentalax"

- ❖ For the SLR, our popular NECK REST “DENTALAX” (s. fig below) is optional available for an additional charge.
- ❖ During treatment, this neck rest supports the cervical spine effectively.
- ❖ The NECK REST “DENTALAX” is available in white or in colour.
- ❖ The lying comfort will be increased significantly when using the NECK REST “DENTALAX”: “SMALL PART, GREAT EFFECT!”



Fig similar: colour and design may vary depending on the model selected.

- ★ For detailed information regarding the right size and suitable version for the headrest of your treatment table please contact the Gharieni customer service. We will be glad to advise you!

14.4 Multifunctional mounting for removable headrests

- ❖ A MULTIFUNCTIONAL MOUNTING (without headrest) for the SLR is optional available for an additional charge.
 - ❖ The MULTIFUNCTIONAL MOUNTING allows you to install the crescent and U-shaped headrests, which are available separately, on the SLR.
 - ❖ This special HEADREST MOUNTING enables by its double hinge system a variety of individual settings which are impossible to achieve with an ordinary headrest.
 - ❖ This allows, in conjunction with the optional head parts, nearly every conceivable treatment at the head.
- ★ For detailed information concerning the MULTIFUNCTIONAL MOUNTING please contact the Gharieni customer service.

14.4.1 Crescent headrest

- ❖ A CRESCENT HEADREST (s. fig below) for the MULTIFUNCTIONAL MOUNTING is optional available for an additional charge.
 - ❖ The curved headrest made of soft and washable polyurethane, is optimal for cosmetic treatments because there are only minimal points of contact between the headrest and the customer.
 - ❖ Therefore, there is better access to the neck and shoulder area.
 - ❖ During treatment, the head of the customer is firmly fixed in stable position.
- i** Can be used in connection with the MULTIFUNCTIONAL MOUNTING only.



CRESCENT HEADREST	Article number: 48002
ARTIFICIAL LEATHER COVER	Article number: 48005
DISPOSABLE COVER / 10 PIECES	Article number: 75236

14.4.2 U - shaped headrest

- ❖ A U - SHAPED HEADREST (s. fig below) for the MULTIFUNCTIONAL MOUNTING is optional available for an additional charge.
- ❖ The U - SHAPED HEADREST is equipped with a washable soft upholstery made of artificial leather and ideal for back massages.

i Can be used in connection with the MULTIFUNCTIONAL MOUNTING only.



U - SHAPED HEADREST	Article number: 48001
TERRY COVER	Article number: 45018

14.5 Protective covers

14.5.1 Protective covers made of terry

- ❖ COVERS MADE OF TERRY for our treatment tables are optional available for an additional charge.
- ❖ Our covers, which are specially-manufactured for our treatment tables, will perfectly protect your working equipment from dirt and heavy use.
- ❖ Machine laundry (max. 60 °C) for hygienic cleaning is possible due to the high-quality material.
- ❖ Internal elastic bands keep the single sections exactly in the right position. All functions of the treatment tables will continue working.
- ❖ Our covers are available in three different colours: white / choco and crème.
- ❖ You can order the relevant cover when purchasing the treatment table.



*Fig. similar: fig. serves as an example **only**.*

- ★ For detailed information regarding the right size and suitable version of the covers as well as the compatibility with your treatment table please contact the Gharieni customer service. We will be glad to advise you!

15. Conditions of transport, storage and operation

15.1 Transport

- ❖ Carry the SLR by its base / supporting structure during transport **only**.
- ❖ **Never** carry the SLR by its lying / sitting surface or its armrests during transport; otherwise you can damage the SLR seriously.
- ❖ On **flat surfaces**, the SLR can be moved or transported carefully using its castors (s. chapter 6.2.1 EXTENDABLE / RETRACTABLE CASTORS).
- ❖ Always consider the total weight of the SLR. You may need the help of several persons.
- ❖ **Always** consider the dimensions of the SLR. Narrow hallways, doors or staircases can make the transport difficult or impossible.

15.2 Ambient conditions for storing and transportation

TEMPERATURE	from -10 °C to +50 °C (ambient temperature)
ATMOSPHERIC PRESSURE	from 700 to 1060 hPa
RELATIVE HUMIDITY	from 20 % to 90 % at +30 °C non-condensing

15.3 Ambient conditions for operation

TEMPERATURE	from +5 °C to +40 °C (ambient temperature)
ATMOSPHERIC PRESSURE	from 700 to 1060 hPa
RELATIVE HUMIDITY	from 20 % to 90 % at +30 °C non-condensing

16. Technical data

GENERAL TECHNICAL DATA	
Total length	186.00 cm - 205.00 cm
Total weight (without options)	approx. 84.00 kg
Width (without armrests)	61.00 cm
<u>Range of height adjustments</u>	
Seat in horizontal position:	approx. 54.00 cm - 83.00 cm
Seat in inclined position:	approx. 47.00 cm - 83.00 cm
Max. height incl. backrest (fully extended in seating position 75°)	approx. 161.00 cm
Inclination of the backrest	0° - 75°
Max. seat inclination	13°
Inclination of the leg section	0° (horizontal) to -86° (vertical)
Lifting capacity	200.00 kg
Loading capacity of the sitting surface	approx. 250.00 kg
Backrest lifting capacity (max. safe operational load)	75.00 kg
Max. loading capacity of the armrests (optional accessories)	25.00 kg

❖ Technical modifications reserved.

ADJUSTMENT DRIVE INCL. CONTROLS	
Power of transformer (primary)	230 V AC / 50 Hz / 120 VA max.
Power of transformer (secondary)	24 V DC
Protection / Fuse	3 ampere AT
Duty cycle (drive)	10% / max. 2 minutes of permanent operation / 18 minutes rest
Device protection class	I
Overvoltage protection class	Type B
Protection against solid and liquid materials	IP 44

❖ Technical modifications reserved.

17. Waste management

1. While unpacking, the packaging materials (polythene bags, polystyrene pieces, etc.) should be kept away from children and pets. **CHOKING HAZARD! RISK OF INJURY!**
2. Do not dispose of the SLR together with your domestic waste. Old and unused treatment tables must be sent for disposal to the responsible recycling centre for electric appliances. Do not remove the relevant symbol from the product.
3. **Never** expose to open flames.
4. The treatment table should be cleaned thoroughly before disposal to protect persons, environment and materials.
5. Before you dispose of a treatment table or any old appliance, **render it inoperative**. Unplug the treatment table / appliance and cut off the entire power cord. Dispose of the power cord and the plug immediately.
6. The SLR is made of metal and plastic components, electronic components, electric cables. Dispose of the separate components in accordance with the current local disposal regulations.
7. Dispose of any paper and cardboard into the corresponding containers.
8. Dispose of any plastics into the corresponding containers
9. If suitable containers are not available at your residential area, dispose of these materials at a suitable municipal collection point for waste-recycling.
10. Receive more detailed information from your retailer, municipal facilities or:

Gharieni Group GmbH

➤ Phone:	+49 (0)2841/88300-0
➤ Fax:	+49 (0)2841/88300-999
➤ Customer service hotline:	+49 (0)2841/88300-40
➤ E-mail:	service@gharieni.de



Materials marked with this symbol are recyclable.



Please contact your local authorities to receive further information.

18. Guarantee provisions

The Gharieni Group GmbH offers a 2-years guarantee on all newly-purchased treatment tables. Wearing parts (such as e.g. incandescent lamps, UV lamps, glass panels, consumables etc.) are not covered by this guarantee. Damage or loss due to unprofessional or improper use, non-compliance with the provisions of the instructions for use and / or gross negligence is not covered by guarantee either. In addition, the guarantee is invalidated if any stickers (such as e.g. the rating plate, instruction notices, etc.) are removed. The guarantee is also invalidated if appliances associated with the treatment table, parts of the treatment table or of the associated appliances are opened without explicit permission by the operating instructions (e.g. for cleaning).

18.1 Guarantee exclusion

Upon delivery, it is necessary to check that the equipment has not been damaged during transportation and that the set of accessories is complete and in good condition. Claims must be filed within 8 days after the delivery of the Gharieni SLR Special. Apart from the cases specified in the supply agreement, **the guarantee is void when:**

- the malfunctioning is attributable to the operator.
- the instructions in this instruction manual are not followed.
- the Gharieni SLR Special has suffered changes after repair operations performed by a third party unauthorized by Gharieni Group GmbH.

19. EC-Declaration Of Conformity

<p>EC DECLARATION OF CONFORMITY</p> <p>We</p> <p>Gharieni Group GmbH (Manufacturer)</p> <p>D-47443 Moers Gutenbergstr. 40 Germany</p> <p>declare that the product</p>		
(Type or model, name)		
CE	SLR (Special)	2017
<p>is produced in accordance with the requirement specified in</p> <p style="text-align: center;">Low Voltage Directive (LVD) 2014/35/EU applied standards: EN 60335-1 EN 60601-1 :2013-12</p> <p style="text-align: center;">Electromagnetic compatibility 2014/30EU applied standards: EN 55011:2017-03, EN 55022:2011-12 EN 61000-3-2:2015, EN 61000-3-3:2014 EN 61000-4-2:2009, EN 61000-4-3:2011, EN 61000-4-4:2013, EN61000-4-5:2015, EN 61000-4-6:2014 EN 61000-4-8:2010, EN 61000-4-11:2005</p> <p style="text-align: center;">Safety of Machinery 2006/42/EG applied standards: EN 12100:2013</p> <p style="text-align: center;">RoHS Directive 2011/65/EU applied standards: EN 50581:2013</p>		
<p><u>Moers.03/15/2017</u> Place and date</p>	 <p>S. Gharieni Executive president</p>	

